

**PLEASE CHECK WWW.MOLEX.COM FOR LATEST PART INFORMATION**

**Part Number:** [0015311046](#)  
**Status:** **Active**  
**Overview:** [standard\\_093](#)  
**Description:** 2.36mm (.093") Diameter Standard .093" Pin and Socket Header, Vertical, with Beveled Plastic Peg, 4 Circuits

**Documents:**

[3D Model](#) [RoHS Certificate of Compliance \(PDF\)](#)  
[Drawing \(PDF\)](#)

**Agency Certification**

CSA	LR19980
TUV	R72081037
UL	E29179

**General**

Product Family	PCB Headers
Series	<a href="#">5219</a>
Application	Wire-to-Board
Overview	<a href="#">standard_093</a>
Product Name	Standard .093"

**Physical**

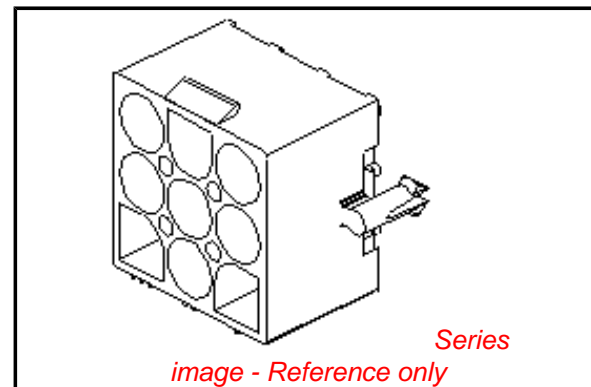
Breakaway	No
Circuits (Loaded)	4
Circuits (maximum)	4
Durability (mating cycles max)	30
First Mate / Last Break	No
Flammability	94V-2
Glow-Wire Compliant	No
Guide to Mating Part	No
Keying to Mating Part	None
Lock to Mating Part	Yes
Material - Plating Mating	Tin
Material - Plating Termination	Tin
Number of Rows	1
Orientation	Vertical
PCB Locator	Yes
PCB Retention	Yes
PCB Thickness Recommended (in)	0.062 In
PCB Thickness Recommended (mm)	1.60 mm
Packaging Type	Bag
Pitch - Mating Interface (in)	0.264 In
Pitch - Mating Interface (mm)	6.71 mm
Polarized to PCB	Yes
Shrouded	Fully
Stackable	No
Surface Mount Compatible (SMC)	No
Temperature Range - Operating	-40°C to +105°C
Termination Interface: Style	Through Hole

**Electrical**

Current - Maximum per Contact	9A
Voltage - Maximum	600V

**Material Info**

Old Part Number	5219-04A
-----------------	----------



**EU RoHS**

**ELV and RoHS Compliant**  
**REACH SVHC**  
 Not Reviewed  
**Halogen-Free Status**  
 Not Reviewed

**China RoHS**



**Need more information on product environmental compliance?**

Email [productcompliance@molex.com](mailto:productcompliance@molex.com)  
 For a multiple part number RoHS Certificate of Compliance, [click here](#)

Please visit the [Contact Us](#) section for any non-product compliance questions.

**Search Parts in this Series**

[5219Series](#)

**Mates With**

[3191 Pin and Socket Receptacle Housing](#)

**Reference - Drawing Numbers**

Packaging Specification

Product Specification

Sales Drawing

SPK-5219-001

RPS-3191-002

SD-5219-003, SD-5219-04A\*

This document was generated on 05/24/2010

**PLEASE CHECK [WWW.MOLEX.COM](http://WWW.MOLEX.COM) FOR LATEST PART INFORMATION**

10

9

8

7

6

5

4

3

2

1

F

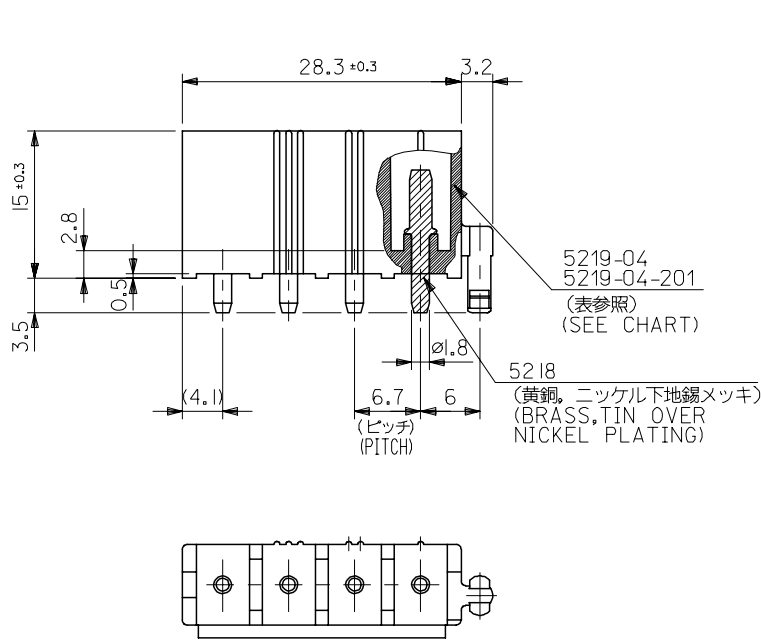
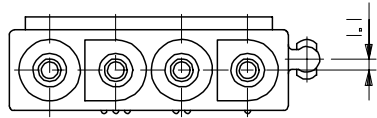
E

D

C

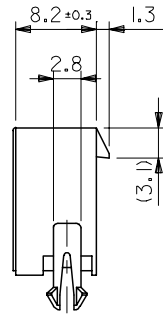
B

A



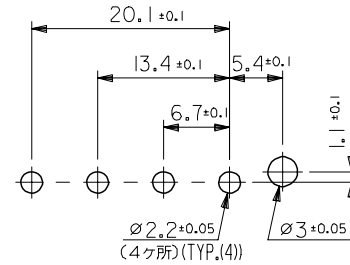
5219-04  
5219-04-201  
(表参照)  
(SEE CHART)

5218  
(黄銅、ニッケル下地鍍メッキ)  
(BRASS, TIN OVER  
NICKEL PLATING)



注記:  
NOTES:

1. 適合リセプタクルハウジング: 3191-04R\*  
TO BE MATED WITH RECEPTACLE HOUSING :  
3191-04R\*



基板取付穴推奨寸法  
RECOMMENDED P.C. BOARD HOLE DIMENSIONS

5219-04A-201	39-28-7048	NYLON66,94V-0
5219-04A	15-31-1046	NYLON66,94V-2
ENG. NO.	EDP NO.	ハウジングの材質 MATERIAL

REVISED EC NO: J2006-0987 DRWN: NABE 2005/09/29 CHKD: TOYODA 2005/09/30 APPR: NUKITA 2005/10/03	GENERAL TOLERANCES (UNLESS SPECIFIED)		DIMENSION STYLE MM ONLY	SCALE 2:1	DESIGN UNITS METRIC	THIRD ANGLE PROJECTION
	10 UNDER	±0.2	DRAWN BY K. KOHAMA	DATE '00/05/29	TITLE NEW INTERNATIONAL CONN 4 POS. HEADER	
	10 OVER 30 UNDER	±0.25	CHECKED BY M. FUKUSHIMA	DATE '00/05/29	MOLEX INCORPORATED	
	30 OVER	±0.3	APPROVED BY M. FUKUSHIMA	DATE '00/05/29	DOCUMENT NO. SD-5219-003	SHEET NO. 1 OF 1
M	DESCRIPTION	ANGULAR ±3 °	MATERIAL NO. SEE CHART	THIS DRAWING CONTAINS INFORMATION THAT IS PROPRIETARY TO MOLEX INCORPORATED AND SHOULD NOT BE USED WITHOUT WRITTEN PERMISSION		
		DRAFT WHERE APPLICABLE MUST REMAIN WITHIN DIMENSIONS	SIZE A3			

9

8

7

6

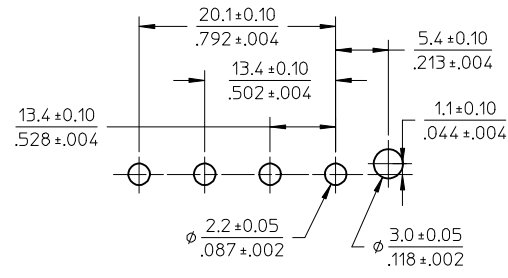
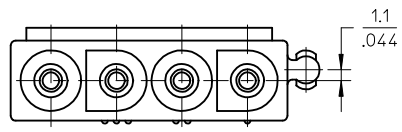
5

4

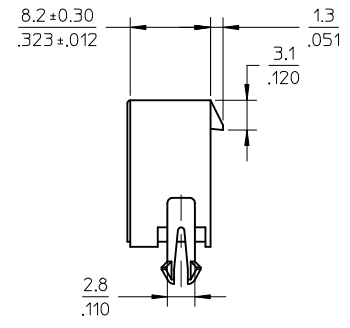
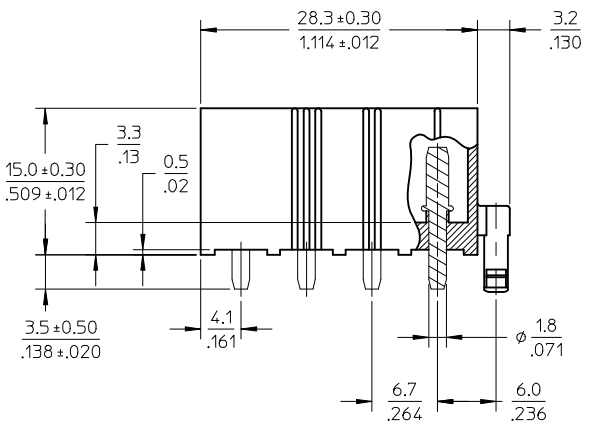
3

2

CIRCUITS	EDP NO.	ENGINEERING NO.
4	15-31-1046	5219-04A

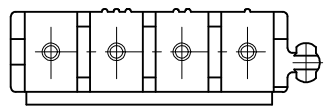


RECOMMENDED P.C.B. HOLE DIM.



NOTES:

- 1) MATERIAL:  
HOUSING: NYLON 6/6, UL94V-2, COLOR: NATURAL  
TERMINAL: C2700W BRASS
- 2) FINISH: 0.000003/(.0000001) MIN. TIN OVERALL OVER  
0.000001/(.00000004) MIN. NICKEL OVERALL
- 3) PRODUCT SPECIFICATION: NONE
- 4) PACKAGING: NONE
- 5) MATES WITH: 3191-04R SERIES
- 6) PARTS CONFORM TO CLASS 'B' REQUIREMENTS OF COSMETIC SPECIFICATION PS-45499-002.



REMOVED DIMENSION EC NO: UCP2009-2076 DRAWN: TRENES 2009/02/24 CHKD: AELHAG 2009/03/13 APPR: FSMITH 2009/04/15	DESCRIPTION K1	QUALITY SYMBOLS	GENERAL TOLERANCES (UNLESS SPECIFIED)	DIMENSION STYLE	SCALE	DESIGN UNITS	THIRD ANGLE PROJECTION
		▽=0 ▽=0	mm INCH 4 PLACES ± --- ± --- 3 PLACES ± --- ± .005 2 PLACES ± 0.13 ± .010 1 PLACE ± 0.25 ± --- ANGULAR ± 1°	IN/MM DRAWN BY DATE A. ASO 1979/04/08 CHECKED BY DATE MENOMOTO 1979/04/10 APPROVED BY DATE	2:1	METRIC	THIRD ANGLE PROJECTION NEW INTERNATIONAL CONN. HEADER AND ASSY
		DRAFT WHERE APPLICABLE MUST REMAIN WITHIN DIMENSIONS	MATERIAL NO.	DOCUMENT NO.	SHEET NO.		
		SIZE B	15-31-1046	SD-5219-04A*	1 OF 1		